



CITY OF CAÑON CITY

City Council

City Council Chambers
128 Main St., Cañon City, CO 81212
(719) 269-9011 • www.canoncity.org

SPECIAL CITY COUNCIL MEETING
May 13, 2020
5:00 p.m.

AMENDED AGENDA

- 1. CALL TO ORDER: Teleconference**
- 2. ROLL CALL: COUNCIL MEMBERS DENNEHY, GONZALES, JAQUEZ, MEISNER, REED, B. SMITH, MAYOR PRO TEM HAMRICK, MAYOR SMITH.**
- 3. DISCUSSION:**
 - A. Director Update: Museum, Lisa Studts**
 - B. Director Update: Library, Suzanne Lasha**
 - C. Ordinance 8, Series 2020 Amendment**
- 4. ADJOURN**

Posted pursuant to code on May 7, 2020.
Amended on May 11, 2020.
Cindy Foster Owens, City Clerk



CITY OF CAÑON CITY

Museum & History Center

P.O. Box 1460 • 612 Royal Gorge Blvd
Cañon City, CO 81215-1460
(719) 269-9036 • Fax: (719) 269-9017

TO: Mayor and City Council

FROM: Ryan Stevens, City Administrator *R.S.*

PREPARED BY: Lisa Studts, Museum Director

DATE: May 6, 2020

RE: Anson Rudd House Rehabilitation Project Update – Phase III

The Royal Gorge Regional Museum & History was recently awarded a State Historic Fund (SHF) Grant to continue rehabilitating the Anson Rudd Stone House. Phase III of the rehabilitation project will go towards drainage improvements around the exterior of the structure and the rehabilitation of the front porch.

Scope of Work and Budget

A. Preservation Activities	
1. Drainage Improvements	\$10,977
2. Porch Rehabilitation	\$12,664
3. General Conditions	\$2,365
4. Overhead & Profit	\$3,548
5. Bonding & Permits	\$1,538
	Construction Subtotal: \$31,092
B. Architectural and Engineering Fees	\$3,200
C. Archaeological Monitoring	\$6,635
D. Grant Administration	\$3,000
E. Contingency - 10%	\$4,300
	Project Total: \$48,227

SHF Grant Request: \$35,000 – 72.57%
Cash Match: \$13,227 – 27.43%

RECOMMENDED ACTION: Eventual approval to enter into a contract with the State Historic Fund to receive the grant funding for Phase III of the Anson Rudd House Rehabilitation Project.

ATTACHMENTS: Construction Documents for Phase III

GENERAL NOTES:

- It is the intent of these Drawings to be guidelines for construction. The Contractor is responsible for determining any questions and meanings in the working drawings and specs. The Contractor shall notify Architect in writing of any errors, omissions or uncertainties existing which may cause construction problems.
- Source: Architectural Systems, PC, (SAS, PC) P.O. Box 2696, Colorado Springs, CO 80901 liability regarding errors and omissions will be limited to the correction of the original drawings. Consultant's liability is the same.
- Do not scale these drawings. In the event of omission of necessary dimensions, the Contractor shall notify the Architect.
- Verify all dimensions, conditions and existing construction of job site. If significant discrepancies or conflicts in the details or dimensions arise, or if unforeseen conditions in the existing building impair the ability to perform the work as approved and/or detailed, then notify in writing such occurrences to the Architect before proceeding.
- Verify size, location and characteristics of all work and equipment to be before any construction pertaining to same is begun.
- Errors and omissions shown on drawings, schedules or described in the specifications do not relieve the contractor from executing work.
- Contractors and subs are responsible for ensuring that all discrepancies in existing structures/materials and any changes made to structure are reported to the Architect, before changes are made.
- Make a field visit to the project site to verify existing conditions conditions at the job site before submitting a proposal. By submitting a proposal, the Contractor acknowledges that it has been made necessary necessary to ascertain the nature and location of the work, and that it has investigated and satisfied itself as to the general and local conditions which can affect the work or its cost. The Contractor also acknowledges that it has satisfied itself as to the character, quality and quantity of surface and subsurface materials or decides to be encountered insofar as this information is reasonably ascertainable from an inspection of the site, including all exploratory work done by the owner and the professional consultants, as well as from the drawings and specifications made a part of this contract. Any failure of the Contractor to take the actions described and acknowledged in this paragraph will not relieve the Contractor from responsibility for obtaining properly the difficulty and cost of successfully performing the work, or for proceeding to successfully perform the work without additional approval to the Owner.
- Contractors to patch and repair damage to any adjacent existing work or conditions caused by construction activities. Coordinate cleanup of work and schedule with Owner.
- Contractor shall construct and/or provide protection barriers as needed for safety and to contain dust due to demolition and keep building secure and weather tight during the construction period.
- At all times keep the work including all staging and storage areas, free from accumulations of waste materials. Before commencing the work, remove from the work and premises any rubbish, tools, scaffolding, equipment, and materials that are not the property of the owner. Upon completing the work, leave the work area in a clean, neat, and orderly condition.
- Continue all operations (including storage of materials) on the Owner's premises to areas authorized by the owner.
- All material and articles incorporated into the work, unless otherwise noted, shall be new and of the most suitable grade for the purpose intended. References in the specifications and/or drawings to equipment, material, articles, or patented processes by trade name, make, or catalog number, shall be regarded as establishing a standard of quality and shall not be construed as limiting competition.
- Verify exact location of all utilities, including those if any not shown or involved in the work for this project to assure the non-interference of those services, and for safety reasons during construction.
- All work shall comply with all applicable building codes, amended ordinances and all other applicable codes and regulations. All necessary licenses, tests, certificates, etc., required by authority having jurisdiction, shall be obtained and paid for by the Contractor.
- An investigation has not been performed to determine if hazardous materials, including but not limited to asbestos, are present within the confines of the project. The presence of any such hazardous materials is not expected. If a questionable material is encountered, stop work in that area immediately and notify the Owner. Work in that area shall be suspended until the material is identified by an owner employed testing agency. If necessary, the Owner will have this material abated, at their cost, so work can continue.
- All work should be carried out in such a manner as to eliminate all unnecessary dust and noise. Where work may cause hazardous conditions, installation of aprons and fencing is required to protect the public; and shall institute all precautions necessary to provide for the safety of those involved in work.

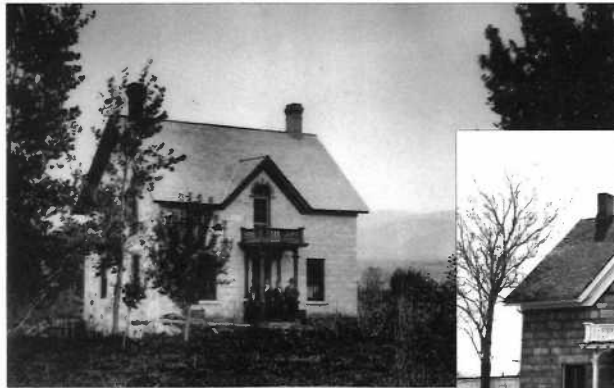
Construction Documents for Rudd House Exterior Rehabilitation

612 Royal Gorge Boulevard
Canon City, CO 81212

STATE HISTORIC FUND PROJECT NO. 2018-M2-005
DELIVERABLE NO. 6 DRAFT CONSTRUCTION
DOCUMENTS



VICINITY MAP NORTH



SHEET INDEX:

- ARCHITECTURAL:**
 CS.1 COVER SHEET
 A1.0 SITE PLANS
 A1.1 FLOOR PLANS
 A2.1 ELEVATIONS
 A3.1 FRONT PORCH DETAILS
 A3.2 SOUTH PORCH DETAILS
 S1.1 STRUCTURAL DETAILS

SCOPE OF WORK:

The purpose of this project is to rehabilitate the exterior of the Rudd House exterior.

BUILDING INFORMATION:

LOCATION: 612 ROYAL GORGE BOULEVARD
 OCCUPANCY: A-3
 TYPE OF CONSTRUCTION: V-B
 SPRINKLERS: NO
 ACTUAL AREA:
 Main Floor: 8895 SQ FT
 HEIGHT OF BLDG: ± 32'-0"

CODES:

- APPLICABLE CODES:**
 - 2009 International Building Code (IBC)
 - 2009 International Existing Building Code (IEBC)
 - 2009 International Energy Conservation Code (IECC)
 - 2009 International Mechanical Code (IMC)
 - 2009 International Fuel Gas Code (IFGC)
 - 2009 International Plumbing Code (IPC)
 - 2014 National Electric Code (NEC)
 - 2009 International Fire Code (IFC)
 - 2003 (ICC/ANSI) A117.1 Accessibility Standard
 National Fire Protection Association (NFPA)
 - Americans with Disabilities Act (ADA)

**ACKNOWLEDGMENT
OF FUNDING SOURCE:**

THIS PROJECT IS PARTIALLY FUNDED BY A STATE HISTORICAL FUND GRANT AWARDED FROM HISTORY COLORADO, THE COLORADO HISTORICAL SOCIETY. ALL WORK ON THIS PROJECT SHALL BE EXECUTED IN ACCORDANCE WITH THE SECRETARY OF THE INTERIOR'S STANDARDS FOR REHABILITATION.

SYMBOLS:

	Section	Section No. Sheet No.		Window No. or Type	Room name 101 Room or Area Tag
	Detail	Detail No. Sheet No.		Door No. or Type	150 SF Centerline
	Elevation	Sheet No. - Elev. No.		Spot Elevation	5 Equipment Tag
	Column Grid			North Arrow	Name Elevation Level/Floor Height

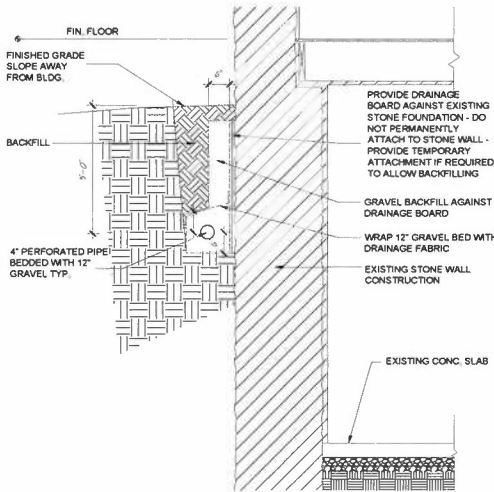


NO.	DATE	DESCRIPTION
1	10/15/18	FOR REVIEW
2	10/15/18	REVISED FOR REVIEW
3	10/15/18	REVISED FOR REVIEW

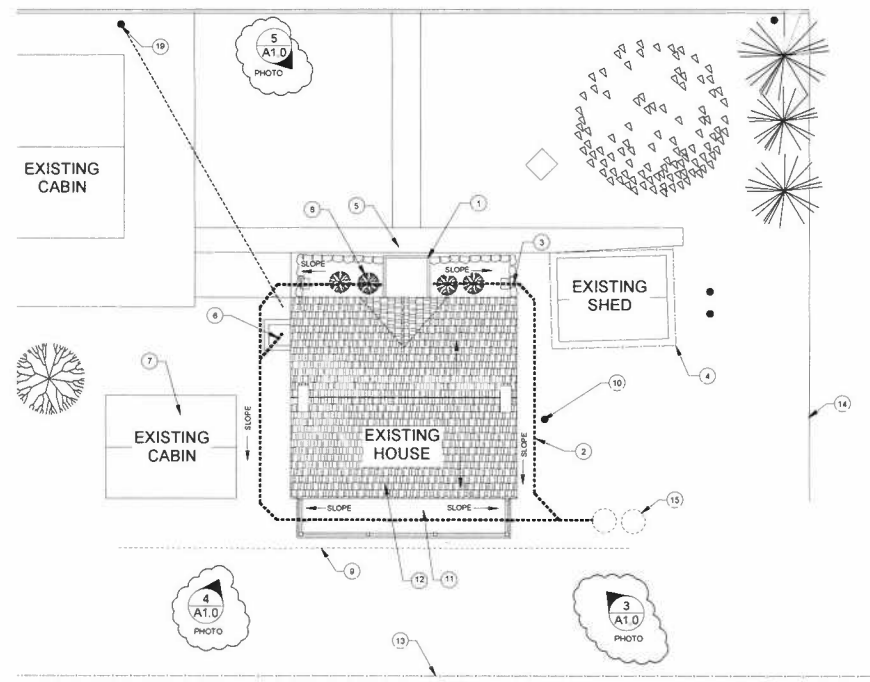
SOURCE: ARCHITECTURAL SYSTEMS, PC
 P.O. Box 2696, Colorado Springs, Co. 80901
 Phone: (719) 533-6644

Construction Documents for Rudd
House Exterior Rehabilitation
612 Royal Gorge Boulevard
Canon City, CO 81212

Job No. :
 Start Date :
 File Name :
 Cover Sheet
CS.1
 © 2019 All Rights Reserved



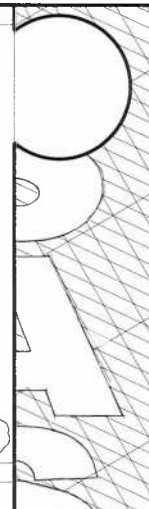
2 North Elevation - Front Porch
A0.1 3/4" = 1'-0"



1 Site Plan
A1.0 1/8" = 1'-0"

- NOTES
- 1 Repair front porch - see plans for additional details
 - 2 Line of new perimeter french drain - see detail 21A0.1 for more info - coordinate work with archaeologist
 - 3 Provide new yard drain at existing downspout - connect into new french drain system - typical for two
 - 4 Existing shed and fence to remain - not in contract - protect from adjacent work
 - 5 Patch existing sidewalk if damaged during porch work
 - 6 Clean out existing airway - verify location/condition of existing drain - connect drain into new perimeter drainage system - See A1.0 for additional detail
 - 7 Existing cabin to remain - not in contract - protect from adjacent work
 - 8 Remove existing ivy and plantings as required to install french drain system - reinstall any stone edging as required - provide new gravel and slope away from building
 - 9 Approximate location of existing gas line - field verify at utilities prior to work
 - 10 Existing water meter - field verify location
 - 11 New porch - see plans for additional details - ALTERNATE #2
 - 12 Line of existing roof above
 - 13 Line of existing chain link fence
 - 14 Edge of existing asphalt paving
 - 15 New gravel system - see detail below for additional information
 - 16 Provide new 4'-0" long concrete splashblock at each downspout this side of building
 - 17 Remove existing handrail
 - 18 Remove existing concrete steps in their entirety - ALTERNATE #2
 - 19 Existing electrical pole - relocate service meter to pole and trench to building - verify with local utility location and mounting requirements - service conduit shall be installed per current code and for future 200 AMP service - ALTERNATE #2
 - 20 Remove existing bench in its entirety - replace with new railing to match existing railing on west side of porch - see porch details

- GENERAL SITE NOTES
- Contractor to notify Owner of schedule of excavations in order to have the Archaeologist available for on-site review during excavation. Archaeologist shall be present at all excavations.
 - Contractor to modify existing sprinkler system as required - relocate/adjust any heads that direct water within five feet of exterior of building
 - Coordinate access and scheduling of all work with Owner - This building is an operating museum open to the public - Provide protection of the building as well as the public with appropriate barricades and fencing.
 - Schedule work per Owner request for any special events or activities that may occur on the site



NO.	DATE	DESCRIPTION
01	11/15/19	FOR REVIEW
02	11/15/19	FOR REVIEW
03	1/23/20	REVISED FOR CHECK REVIEW

SOURCE ARCHITECT/TECHNOLOGY SYSTEMS P/C
P.O. Box 2598, Colorado Springs, Co. 80901
Phone: (719) 524-0400



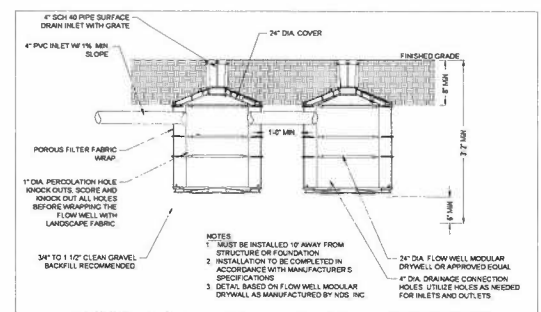
3 Site Looking Northwest
A1.0 NTS



4 Site Looking Northeast
A1.0 NTS



5 Site Looking South
A1.0 NTS

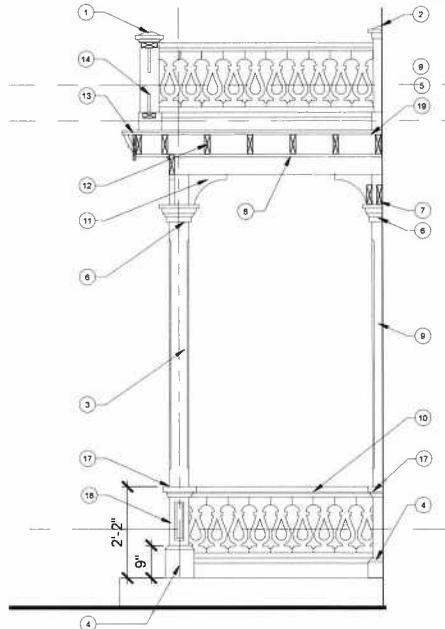


6 Detail at Drywell
A1.0 1/2" = 1'-0"

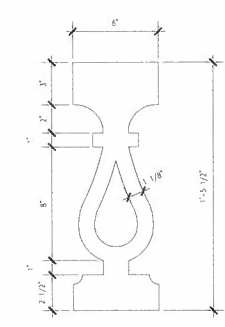
Construction Documents for Rudd
House Exterior Rehabilitation
612 Royal Gorge Boulevard
Canon City, CO 81212

Job No.:
Start Date:
File Name:

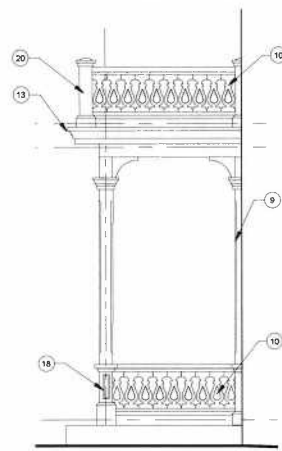
Site Plan
A1.0



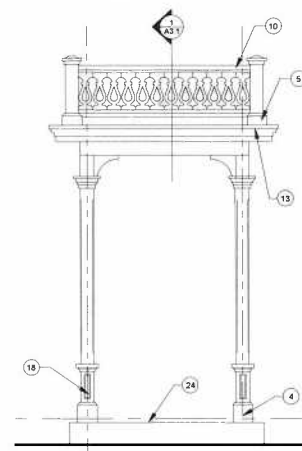
1 Section -Front Porch
A3.1 3/4" = 1'-0"



2 Detail @ Typical Baluster
A3.1 3" = 1'-0"



3 West Elevation -Front Porch
A3.1 1/2" = 1'-0" East Elevation Similar



4 North Elevation -Front Porch
A3.1 1/2" = 1'-0"



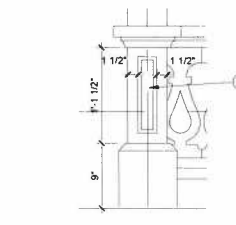
5 Reference Photo -Front Porch
A3.1 NTS



6 Reference Photo -Front Porch
A3.1 NTS

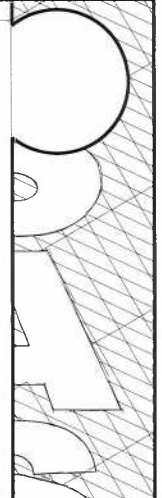


7 Reference Photo -Upper Front Porch
A3.1 NTS



8 Detail at Column Base
A3.1 1 1/2" = 1'-0"

- (X) NOTES:
- 1 New wood post cap to match existing in profile
 - 2 Existing post cap - repair and prep to paint
 - 3 Existing 6x6 wood post to remain - prep as required to receive new trim - prep and paint
 - 4 1 1/4" x 4" base trim with chamfer top - profile to match Upper front porch post trim - painted
 - 5 Repair existing base trim - replace with in-kind material if required - prep and paint
 - 6 Existing trim at top of column to remain - repair with in-kind material if required - prep and paint
 - 7 Existing 2x brace to remain - remove existing electrical outlet - paint
 - 8 Carefully remove existing beadboard ceiling if required to inspect/repair existing deck framing - reinstall - provide new in-kind material as required - paint
 - 9 Existing column as well to remain - repair any damaged areas - prep and paint
 - 10 Existing top and bottom railing and balusters to be repaired as required - provide new in-kind material to match existing profiles of any damaged or missing trim
 - 11 Existing Upper deck framing to remain - prep and paint
 - 12 Existing 2x framing - inspect framing from below or above to verify condition - Notify Architect of any damage to existing framing prior to proceeding with work
 - 13 Remove existing roofing at deck - New TPO roofing on existing deck - verify condition of existing deck prior to work - provide edge flashing to match existing - provide drip edge to match existing at north face - see detail A3.2
 - 14 Provide new balusters based on profile of existing - see detail
 - 15 Existing 1x soffit board - prep and paint
 - 16 Existing wood bench to be removed for new railing
 - 17 New 1x cap at base of column to match profile of adjacent railing - paint
 - 18 New built out "columns" at base of existing column to match existing historic photo - See detail
 - 19 New flashing at well - see detail A3.2 - verify in field existing condition after removal of existing roofing
 - 20 Verify mounting condition of existing post at corner at upper roof - Notify Architect of any structural damage
 - 21 Existing 1x wood flooring to remain - repair, prep and paint as required
 - 22 Existing top step to remain - repair, prep and paint
 - 23 Recessed panel with 1/2" wide quarter round trim all sides
 - 24 Existing concrete porch and stoop area
 - 25 Existing mortar to remain - provide new mortar to match existing color and mix at missing locations - 1 patch all window and door jambs



NO.	DATE	DESCRIPTION
01	05-20-19	FOR REVIEW
02	06-10-19	FOR REVIEW
03	07-10-19	REVISED FOR REVIEW

SOURCE: ARCHITECTURAL SYSTEMS, INC.
P.O. Box 2884, Colorado Springs, Co. 80901
Phone: (719) 534-4665

Construction Documents for Rudd
House Exterior Rehabilitation
612 Royal George Boulevard
Canon City, CO 81212

Job No.:
Start Date:
File Name:

Front Porch Details
A3.1



9 Reference Photo -Front Porch
A3.1 NTS



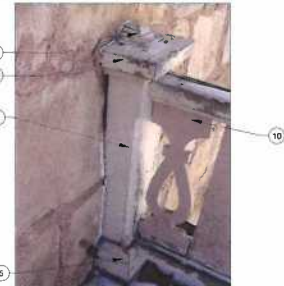
10 Reference Photo -Front Porch
A3.1 NTS



11 Reference Photo
A3.1 NTS



12 Reference Photo -Front Porch
A3.1 NTS



13 Reference Photo -Front Porch
A3.1 NTS



CITY OF CAÑON CITY

Library Department

516 Macon Avenue
Cañon City, CO 81212
(719) 269-9020 • Fax: (719) 269-9031

TO: Mayor and City Council
FROM: Ryan Stevens, City Administrator *R.S.*
PREPARED BY: Suzanne Lasha, Library Director
DATE: May 6, 2020
RE: Library Reopening Plan

Draft Canon City Public Library Re-Open Plan

Staff Safety

- Employees at greeter's desk and circ desk will wear gloves and masks while working with patrons and returned materials.
- Employees will wash hands when arriving, and after every excursion that may include patron contact or contact with a door or material that could be infected.
- Work areas will be sanitized when employees are rotated.
- Phones, computers, writing utensils will be sanitized after each use.
- Patrons and staff who are visibly ill (i.e. coughing, sneezing) will be asked to leave the library and the area they were using will be immediately sanitized.
- If we find that someone who has been in the building is diagnosed with COVID, we will close the building for 48 hours to clean and disinfect.
- Staff will be scheduled as needed to cover all three floors.
- Staff stations will be sanitized one at a time.
- Staff must maintain social distancing at all times.
- Signs will be placed at the public entrance of the library to inform all customers that they should not enter the library if they have a cough or fever, maintain a six-foot distance from one another, sneeze and cough into a cloth or tissue or, if not available, into one's elbow, do not shake hands or engage in any physical contact.
- Hand sanitizer, soap and water, or effective disinfectant will be available to staff and the public at or near the entrance or where the checkout stations are located.

Hours

- The library will not re-open until we can procure PPE (Personal Protective Equipment) for staff and enough cleaning materials to clean high touch areas frequently.
- The library will be open for seniors only from 10 to 11 a.m., Monday through Saturday.
- The library will close at 6 (Monday-Thursday) and 5 on Friday and Saturday. Staff will have adequate time to clean each work station.

No Meeting Times

- Use of meeting room will be unavailable until further notice.

Materials

- Materials returned to the library will be sanitized before being put on the shelf.
- Curbside service will continue after opening the library to the public.
- Computers will be sanitized between each use by a patron.
- We will remove or separate some chairs in order to encourage social distancing in all areas of the library.

Library Programs

- The library will conduct the Summer Reading Program via an online program.
- Kids will not be allowed to congregate in groups at the library.
- Story time will be virtual or in the park, where families can spread out.
- Other programs may be re-added or expanded as restrictions loosen and if we can ensure the safety of patrons and staff.

**A BILL FOR
ORDINANCE NO. ___, SERIES OF 2020**

**AN ORDINANCE OF THE CITY OF CAÑON CITY AMENDING SECTIONS
9.44.060(A) AND 9.46.020 OF THE CAÑON CITY MUNICIPAL CODE
CONCERNING THE RIDING OF CERTAIN ANIMALS IN CITY PARKS AND
CITY TRAILS**

NOW, THEREFORE, BE IT ORDAINED BY THE COUNCIL OF CAÑON CITY:

Section 1. Section 9.44.060(A) of the Cañon City Municipal Code is hereby amended by the addition of new subsection (20) to read as follows:

A. Except as provided in Subsection B of this section, it is unlawful within any City park for any person to:

* * *

20. Lead or ride upon any horse or any other hooved animal in areas designated and posted as identifying such use as being prohibited.

Section 2. Section 9.46.020 of the Cañon City Municipal Code is hereby amended by the addition thereto of subsection (11) to read as follows:

The trail rules and regulations that shall apply to all public trails within the City are as follows:

* * *

11. The riding or leading of a horse, or any other hooved animal is authorized, except in areas designated and posted as prohibiting such use.

Section 3. Severability. If any section, subsection, paragraph, clause or other provision of this ordinance for any reason is held to be invalid or unenforceable, the invalidity or unenforceability of such section, subsection, paragraph, clause or other provision shall not affect any of the remaining provisions of this ordinance, the intent being that the same are severable.

Section 4. Effective Date. Pursuant to Article XII, Section 3 and Section 5 of the Charter, this Ordinance shall be effective five (5) days after final publication if it is published after adoption or if not so published, five (5) days after its adoption.