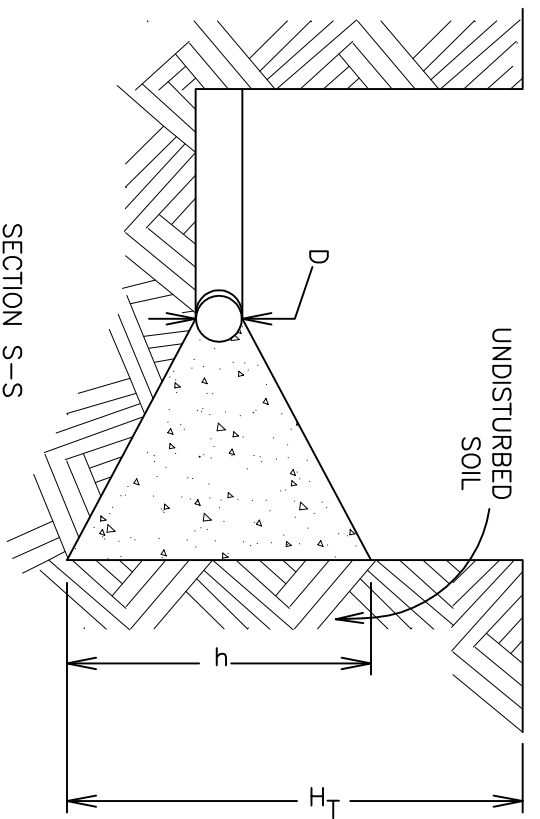


THRUST BLOCK DETAIL



SECTION S-S

NOTE: D = OUTSIDE DIAMETER OF PIPE

AREA,  $Ab = h \times b$   
 WITH  $h \leq 1/2 H_T$   
 &  $h \geq D$  WHICHEVER IS GREATER  
 ALSO  $h \leq b < 2h$

DIA.	Ab (FT <sup>2</sup> )	FOR $\phi$
	221/2°	45°
		90°
4"	0.5	1.0
6"	1.0	2.0
8"	2.0	3.0
10"	2.5	5.0
12"	4.0	7.0
16"	6.5	13.0
20"	10.0	20.5
24"	15.0	29.0
30"	23.0	45.5
36"	33.5	65.5

THRUST BLOCK

CITY OF CANYON CITY  
 ENGINEERING DEPARTMENT

STANDARD DETAIL

REVISED: OCTOBER 2003

