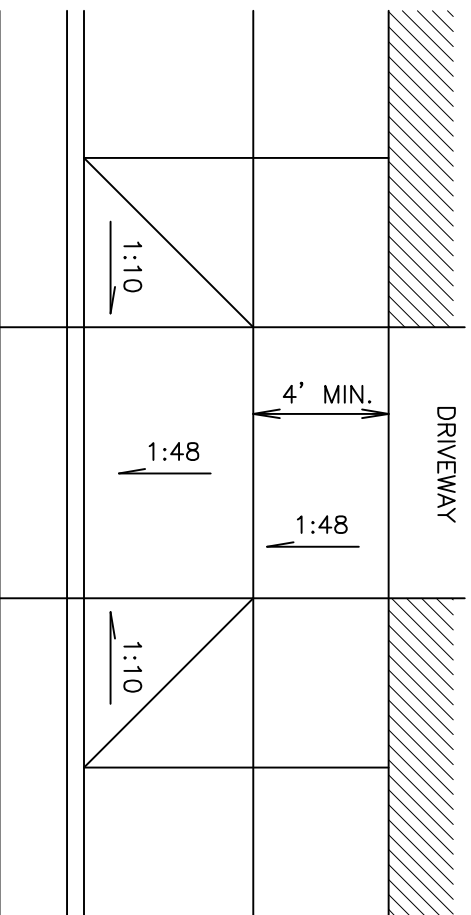
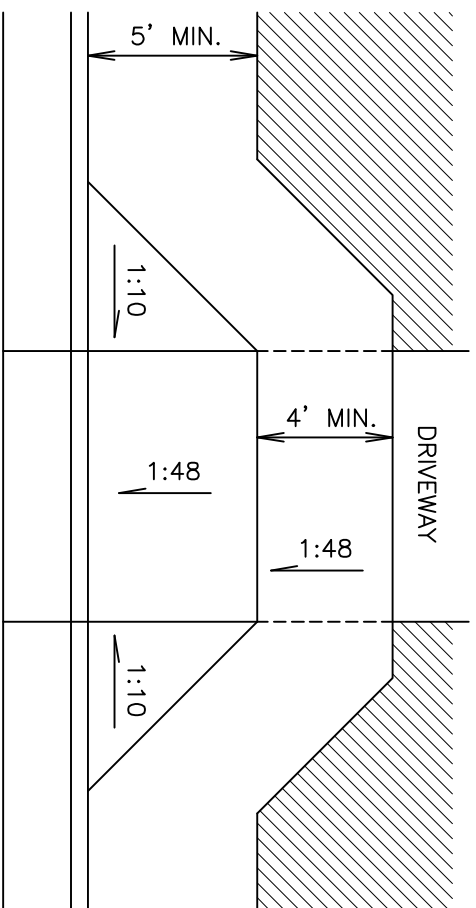


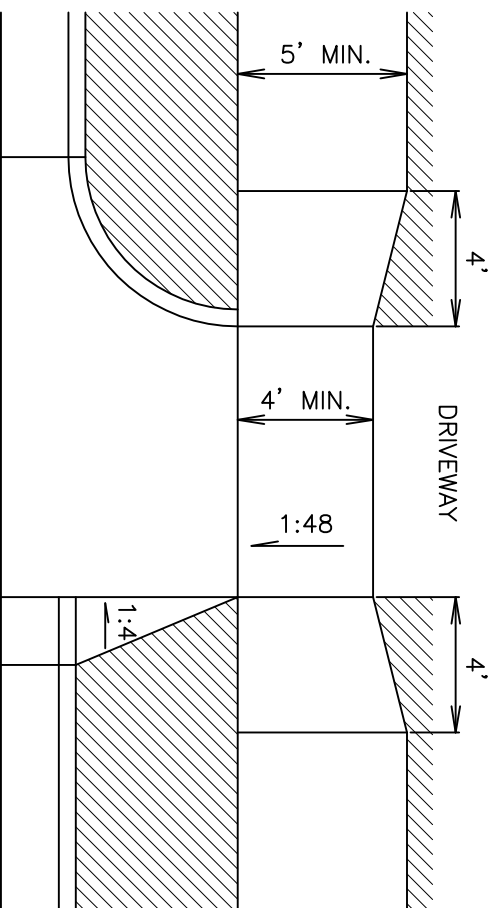
RAMP SIDEWALK



WIDE SIDEWALK



APRON OFFSET SIDEWALK



SETBACK SIDEWALK - WING OR CURB

SIDEWALK ALLEY/DRIVEWAY CONNECTION

98 - S



CITY OF CANYON CITY
ENGINEERING DEPARTMENT
STANDARD DETAIL
REVISED: APRIL 2005

S-8b