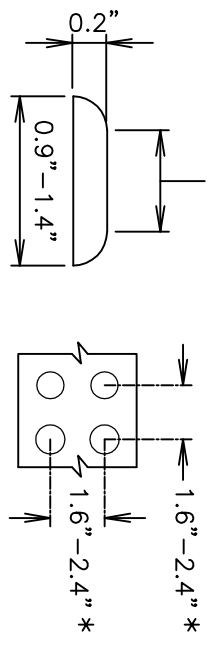
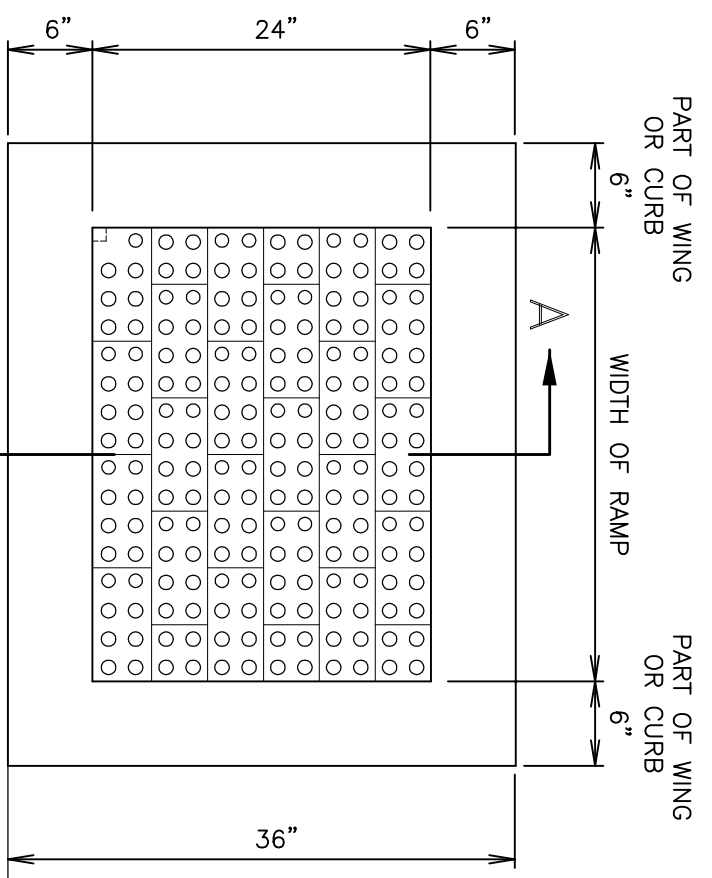


SIDE CROSS SECTION VIEW OF
DETECTABLE WARNING, WELL,
CURB, AND GUTTER

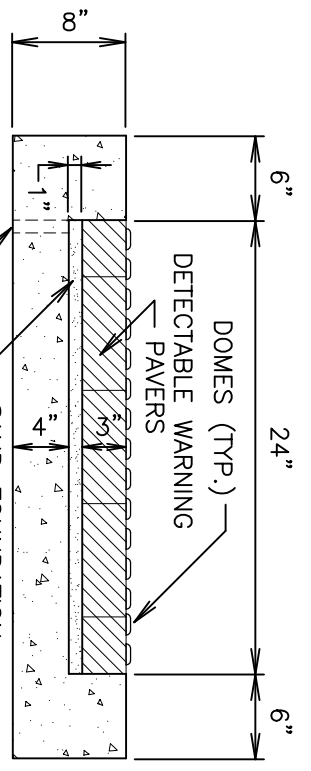
THE TOP DIA. OF TRUNCATED DOMES
SHALL BE 50% TO 60% OF THE BASE DIA.



* SHALL BE EQUAL IN BOTH DIRECTIONS
DOME AND DETECTABLE WARNING DETAILS



PLAN VIEW OF
DETECTABLE WARNING AND WELL



SECTION "A-A"

**SIDEWALK RAMP
DETECTABLE WARNING**

CITY OF CANON CITY
ENGINEERING DEPARTMENT

STANDARD DETAIL
REVISED, AUGUST 2008

S-6d