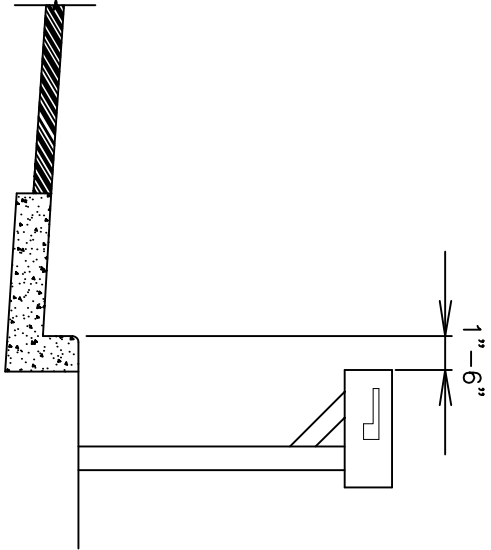
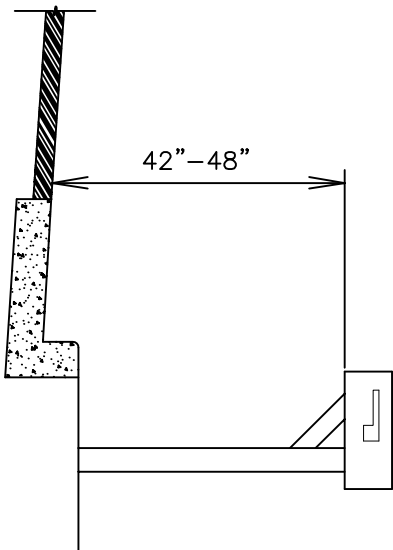


FRONT OF MAILBOX MUST BE
1-6 INCHES BACK FROM EDGE
OF SIDEWALK



FRONT OF MAILBOX MUST BE
1-6 INCHES BACK FROM EDGE
OF CURB OR SHOULDER OF ROADWAY



BOTTOM OF MAILBOX MUST BE
42-48 INCHES FROM ROADWAY
SURFACE

MAILBOX LOCATION

CITY OF CANON CITY
ENGINEERING DEPARTMENT

STANDARD DETAIL

REvised: AUGUST 2008

