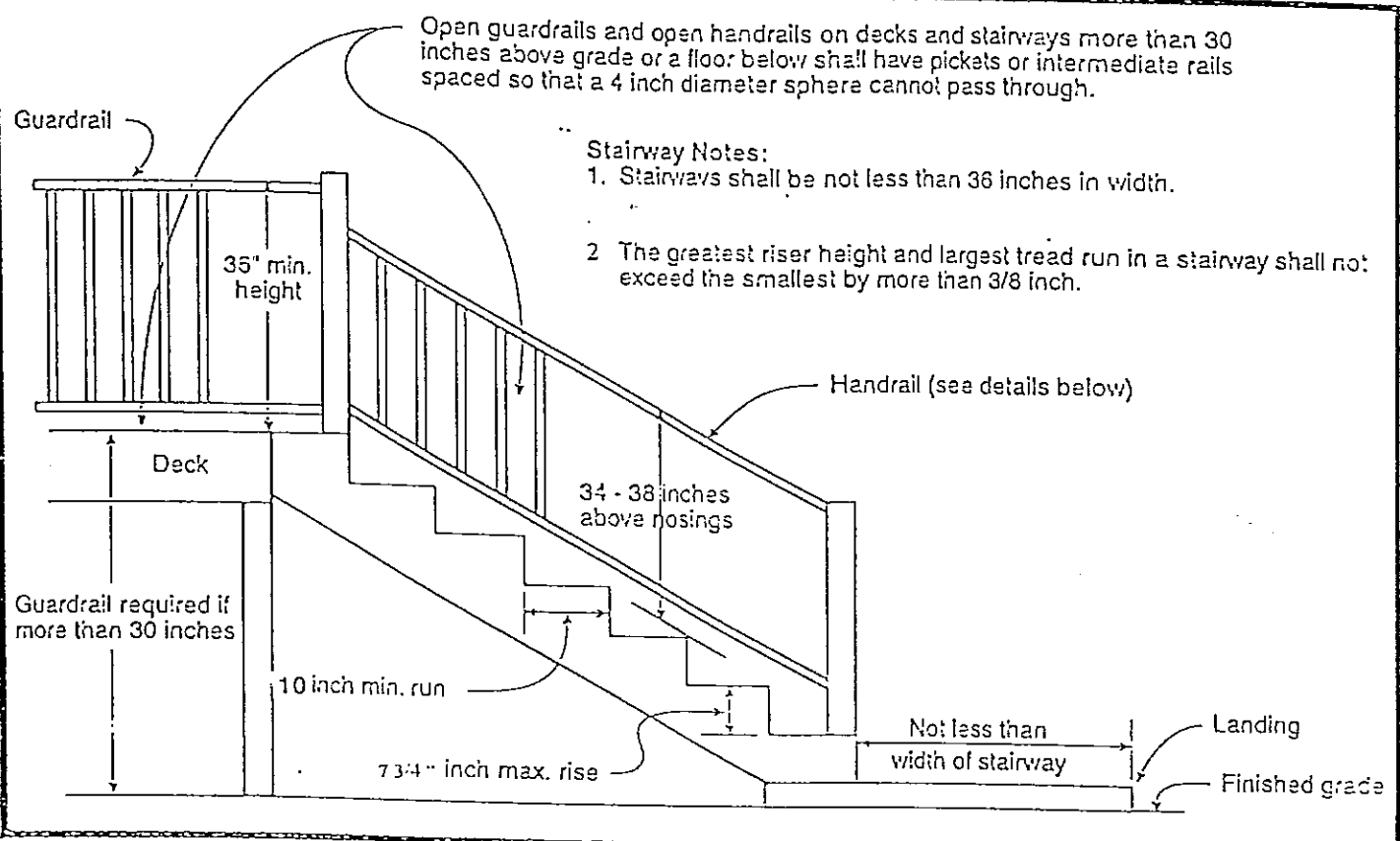


# Single Family Residential Uncovered Decks and Porches

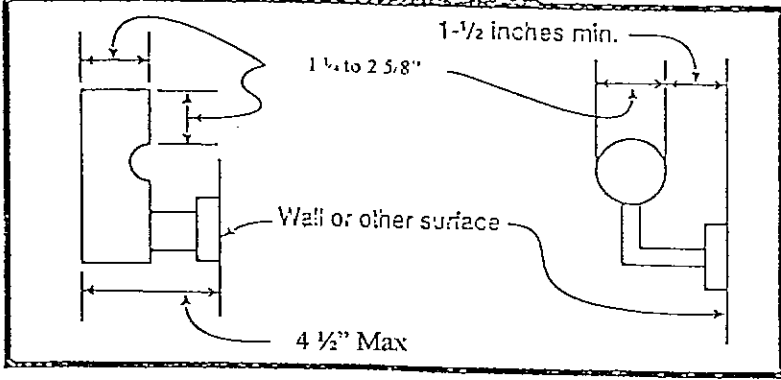
## Stair & Handrail Specifications



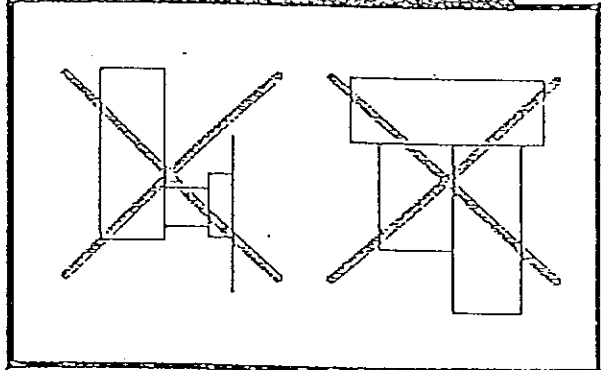
### Handrail Notes:

1. Handrails shall be continuous on at least one side of stairs with 2 or more risers.
2. Handrails shall be placed not less than 34 inches nor more than 38 inches above stair nosings.
3. The handgrip portion of handrails shall be not less than 1-1/4 inches nor more than 2 5/8" in width.
4. Handrails shall be placed not less than 1-1/2 inches from any wall or other surface.

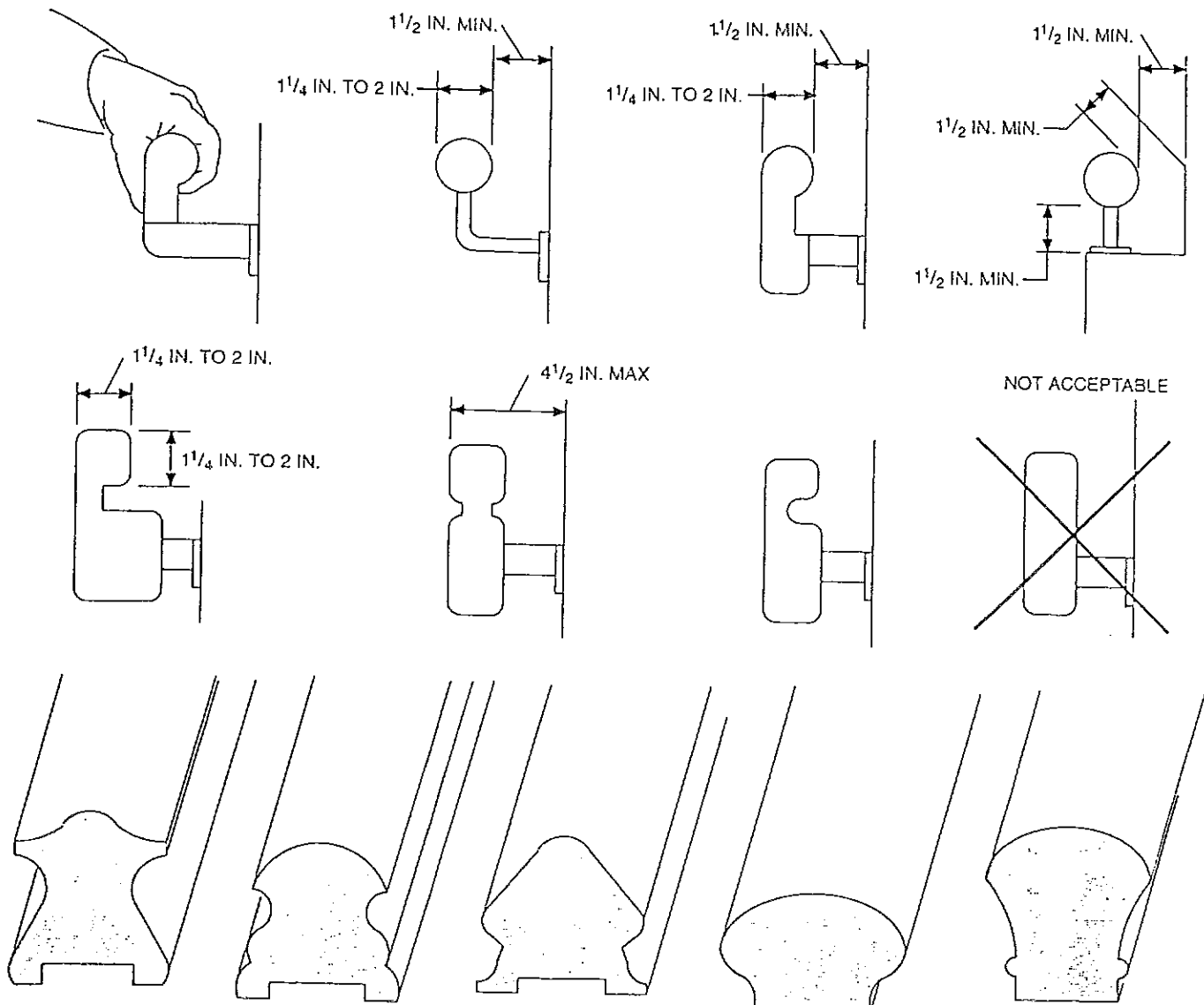
### Acceptable Handrail Details



### Unacceptable Handrails



This handout was developed by the Colorado Chapter of the International Conference of Building Officials as a basic plan submittal under the 1994 Uniform Codes. It is not intended to cover all circumstances. Check with your Building Department for additional requirements.



NOTE: Other shapes may be acceptable if they provide an equivalent gripping surface. See Section 1003.3.3.11.3.

For SI: 1 inch = 25.4 mm.

**1003.3.3.2 Profile.** The radius of curvature at the leading edge of the tread shall be not greater than 0.5 inch (12.7 mm). Beveling of nosings shall not exceed 0.5 inch (12.7 mm). Risers shall be solid and vertical or sloped from the underside of the leading edge of the tread above at an angle not more than 30 degrees (0.52 rad) from the vertical. The leading edge (nosings) of treads shall project not more than 1.25 inches (32 mm) beyond the tread below and all projections of the leading edges shall be of uniform size, including the leading edge of the floor at the top of a flight.

**Exceptions:**

1. Solid risers are not required for stairways that are not required to comply with Section 1003.2.13.2, provided that the opening between treads does not permit the passage of a sphere with a diameter of 4 inches (102 mm).
2. Solid risers are not required for occupancies in Group I-3.

